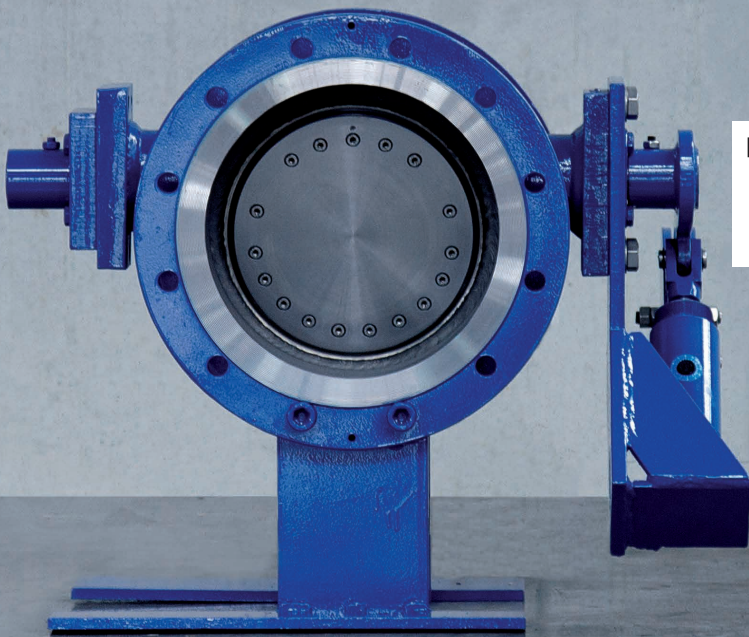


ZWICK
ARMATUREN GMBH 



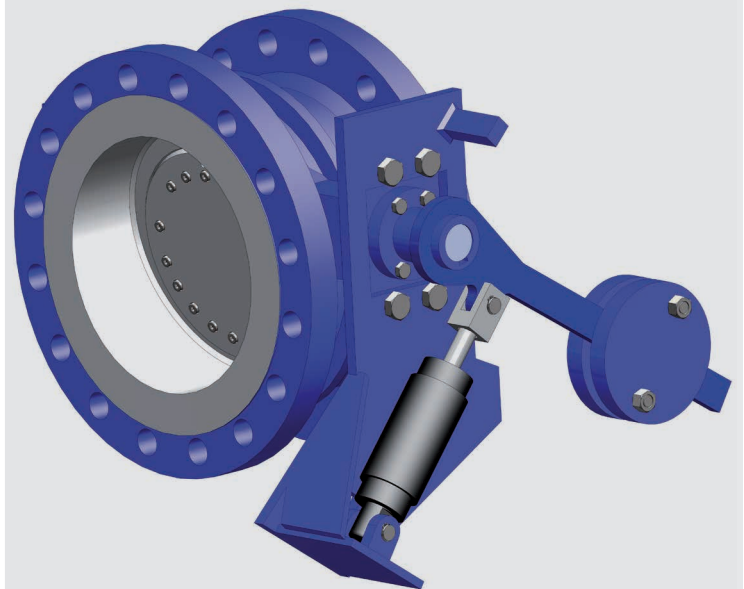
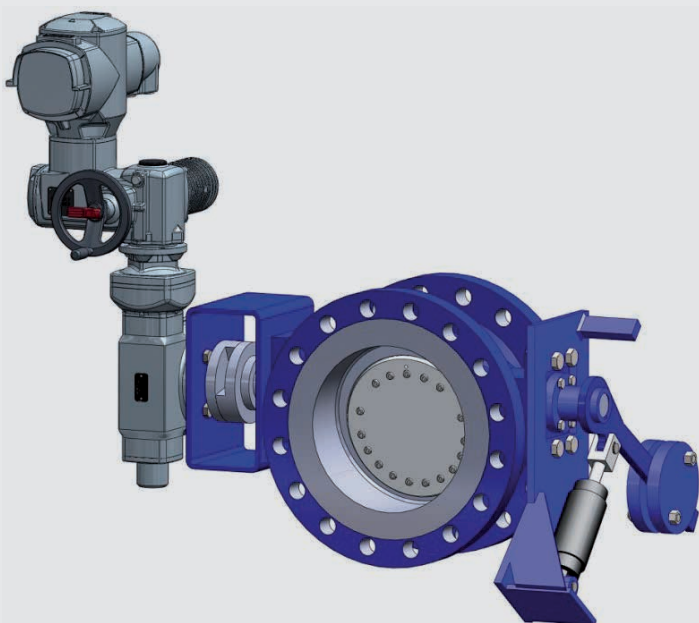
TRI-CHECK

**HEAVY DUTY
METAL SEATED
CHECK VALVE**
Hydraulic dampened

HIGH STANDARD VALVES FOR NON-STANDARD CONDITIONS.

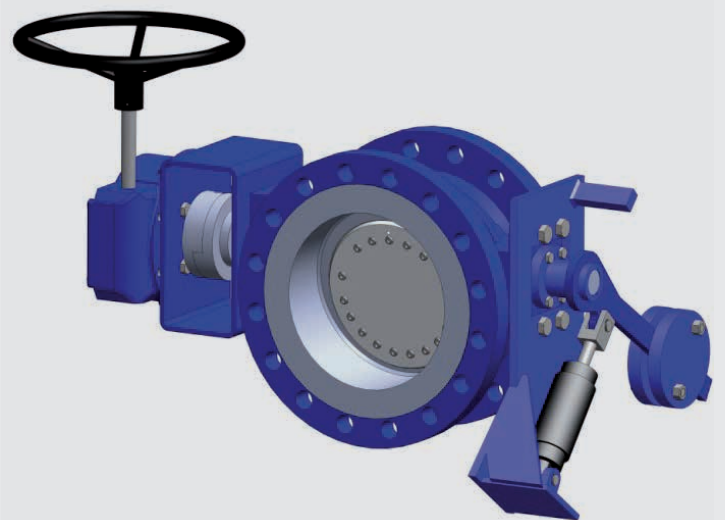
TRI-CHECK

- DN 50 - 1200 / 2" - 48"
- PN 6 - 160 / ANSI 150 - 900
- Zero Leakage
- Metal seated
- Tripple offset design
- Incl. damper & counterweight
- Double flange or buttweld



Options

- manual or automated combined
- check valve with shut off function



ZWICK
ARMATUREN GMBH

Egerstr. 1 & 25
D-58256 Ennepetal

TEL +49 (0) 23 33 / 98 56 5

FAX +49 (0) 23 33 / 98 56 6

MAIL info@zwick-gmbh.de

WWW.ZWICK-VALVES.COM